



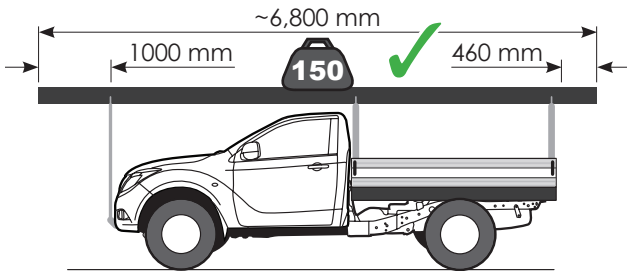
### This guideline:

- provides practical advice for loading and restraining loads on utes; and
- cannot cover all situations, so you are responsible for ensuring the method used are appropriate for the load being transported.

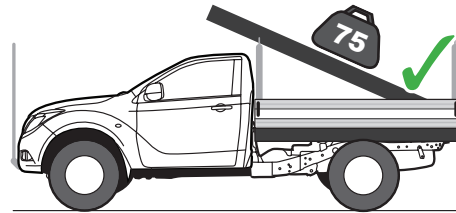
All damage to vehicles, loads, people property etc is the responsibility of the hirer and they are to pay for damages. If staff assist, the responsibility still remains on the hirer to check.

### Load Limits

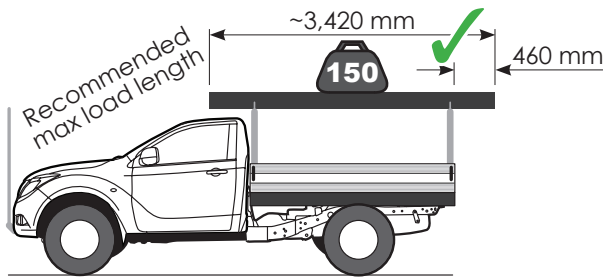
The following limits apply to the vehicle rented:



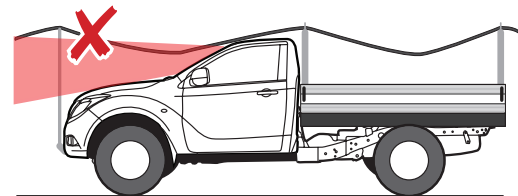
Maximum evenly spread load and overhangs



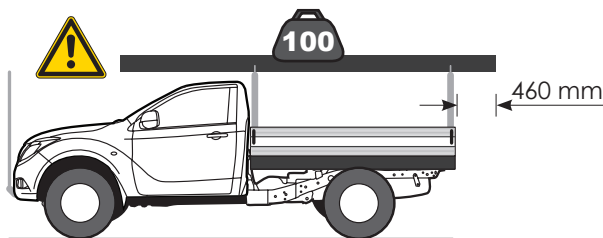
Reduce weight when inclined load.  
Recommended max overhang 10% of length.



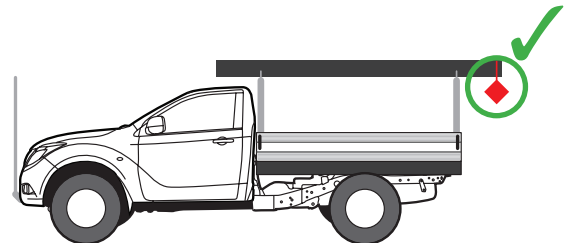
Max 450 mm rear overhang.  
Max 150 kg for evenly spread load.



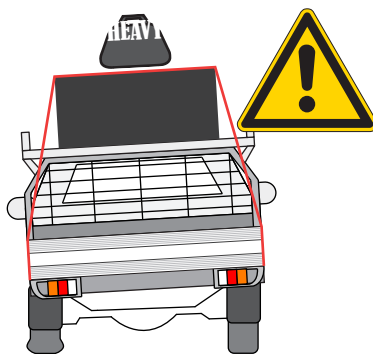
Driver's vision must not be obstructed.  
Flexible material may not be suitable on racks.



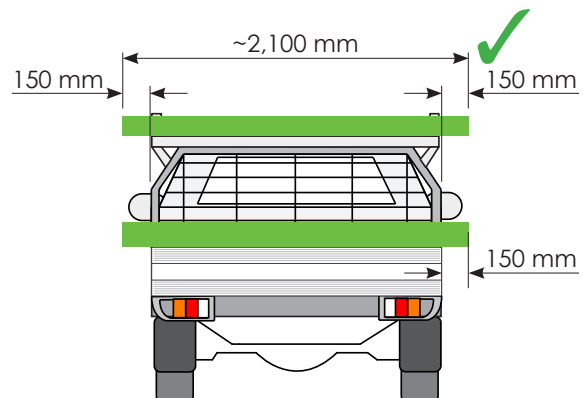
Avoid unequal overhangs as this may overload the front support and/or flex over the cab.



Use a bright coloured flag at least 300 mm square during the day and a red light at night for rear overhanging loads.



Vehicle performance is affected by tall/heavy loads on racks, especially sideways.

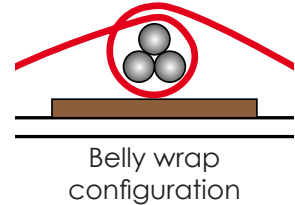


Maximum side overhang 150 mm



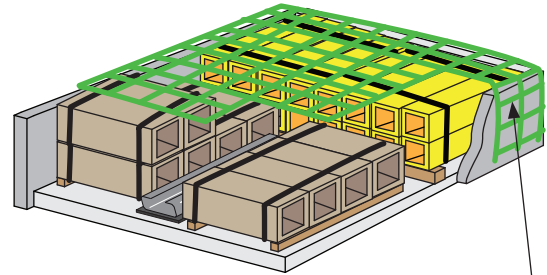
### Load Restraint Requirements

- ✓ Where possible, load within the cargo area only.
- ✓ All items longer than 1 metre to have minimum 2 lashings.
- ✓ Wrap the restraint around the load (belly wrap) where possible.
- ✓ All items loaded on an incline must be tied down.
- ✗ No slippery/low friction surfaces (eg metal to metal). Items must be placed on surfaces such as timber or rubber.

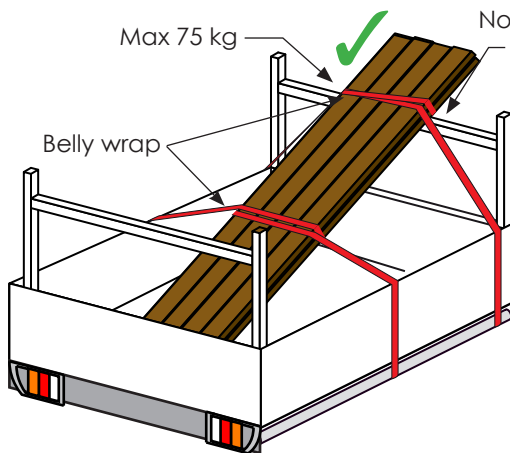


All items not restrained by a restraint must:

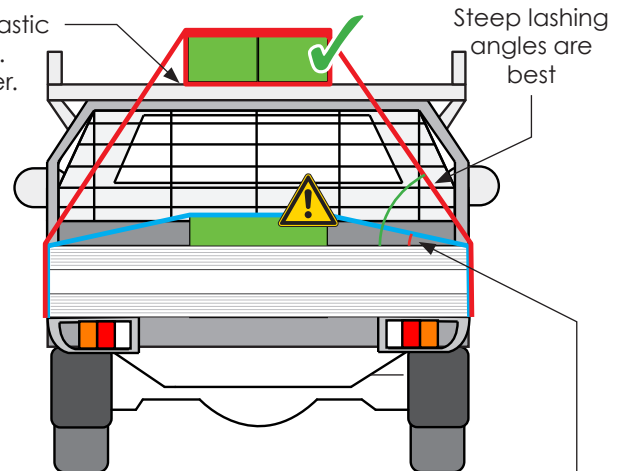
- ✓ Have a cargo net or cover over of sufficient strength that will prevent any object escaping (will not fit through any holes);
- ✓ Be blocked in a way that will not allow the load to pierce the sides/front;
- ✗ Not be prone to movement; and
- ✗ Be contained so that the bottom of the item/pack is at least 200 mm from the top of the sides.



Loose items must be under cargo nets and must not extend more than 100 mm above the sides. Tie down larger items with restraints.



Belly wrap all multi-abreast product or bundles



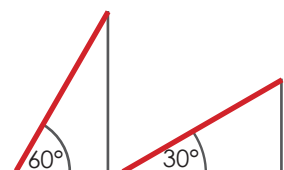
If low lashing angle, then consider blocking, use of belly wrap, and/or removing drop-gate

### Weight Limits per Restraint

Restraint angle	35mm ratchet tightened webbing	25mm ratchet tightened webbing	25mm hand tightened webbing	Rope with single hitch (truck knot)
30° - 60°	250 kg	100 kg	35 kg	50 kg
60° - 90°	430 kg	170 kg	60 kg	85 kg

Note: Do not exceed "ladder rack capacity (75 kg for each of the main two racks = 150 kg total).

Restraint Angle Examples



This document is provided for guidance only. Engistics has developed this guideline to comply with the relevant standards and legislation, however it remains the responsibility of the user to ensure that the methods used are adequate for a particular situation. Additional requirements may be necessary under some conditions. Engistics makes no warranty as to the use of this guideline in all circumstances. The information contained in this guideline is confidential to and remains the property of Handy Rentals and Engistics. Any changes to this guideline must be approved by Engistics.